

SKANDI KRAFT



NÁVOD K OBSLUZE

iSIMPLE TIG 215 AC/DC



Printed on eco-friendly paper

Obsah:

1. Angličtina	3
2. Němčina	18
3. Čeština	33



General Information

Before starting any work with the welding device, read these Operating Manual!

- Reading and following the Manual will allow you to operate our equipment in a safe manner.
- The person operating the welding device should be qualified and trained to operate this type of equipment.
- Follow the Operating Manual and the pictograms provided for information and safety purposes.
- Remember to comply with the OHS regulations and directives related to the activities using welding devices.
- Remember to keep the Manual near the place where the device is used.
- The device may have technical changes that are caused by the continuous development of technologies used in it, and therefore its operation may differ in details from the description contained in the Manual.



Hazard caused by inappropriate clothing

The factors you are exposed to during welding are high temperature and high voltage without the possibility to eliminate it due to arc welding. When working with this device, you must wear appropriate personal protective equipment. The equipment should protect you against the following hazards, among others:

- Dust, gases and fumes generated in the welding process: respiratory protection ensuring proper filtration or means through which the pollutants will be extracted.
- Ionizing, IR and UV radiation, and high temperature: welding shield with appropriate welding filter, dry clothing made of flame-retardant materials (gloves, torso and leg protection), also protecting against electric shock.
- Fall of heavy elements from height: safety footwear covering the foot and part of the leg, featuring a protective toe.
- Noise: hearing protection (ear stoppers, ear muffs).



Explosion hazard

The substances contained in the tanks are safe, but when heated they can be extremely hazardous and can generate overpressure. The working area must be free of flammables or tanks with gas or liquid under pressure. Processing of materials involving sparks or high temperatures may heat liquids, fluids, gases or dusts, leading to an explosion.



Hazard caused by improper operation of shielding gas cylinders

Shielding gas cylinders contain gas under high pressure. The cylinder may explode when damaged!

Gas cylinders are usually part of the welding process and must be handled with care. Cylinders may explode if they are damaged.

- Protect gas cylinders against excessive heat, mechanical shocks, physical damage, slag, naked flame, sparks and arcs!
- Make sure cylinders are stored securely and upright to prevent them from tipping over.

Never allow the welding electrode or ground clamp to touch the gas cylinder! Do not pull the welding cables over the cylinder!

- Never weld on a pressurized gas cylinder!
- Do not attach any elements or to the reducer set!



Hazard of accumulation of gases that displace oxygen from the environment

Gases accumulated in the working area may form a toxic environment, which could lead to loss of consciousness or even death. Technical gases are often odourless and invisible to the eye, and therefore difficult to detect.

- Remember about proper protection, equip yourself with appropriate devices that filter the air or supply fresh air from uncontaminated environment.
- The rooms should have efficient ventilation systems and extraction systems for gases and dust.
- Remember to close the gas cylinder when the equipment is not used.



Fire hazard

Welding arc sparks and hot elements can cause fire and burns. Accidental contact of the electrode with metal parts may lead to sparking, overheating, explosion or fire. Before starting welding, make sure that the area is safe.

- Welding sparks or spatter may cause fire, so remove any flammable materials from the working area. Use the dedicated guards for additional protection of the above-mentioned substances or materials.
- Do not weld on closed containers or pipes, unless they are prepared for this in accordance with safety requirements. Make sure that they are completely free of any flammable or toxic vapours and substances that may cause explosion, even if the tank has been "cleaned". Remove air from empty castings or containers before heating, cutting or welding. They may explode.
- Do not weld in places where the atmosphere may contain dust, gas or vapours of flammable liquids (such as gasoline).
- You must always keep a suitable fire extinguisher nearby and be able to use it in case of an emergency. Sparks or spatters can easily pass through gaps, recesses and cracks. Be aware that welding can cause fire in an adjacent room or in its hidden (invisible) part.



Danger of burns

Welded items generate and maintain high temperatures even for a long time and can cause serious burns.

- Do not touch hot parts with bare hands! Use welding gloves that insulate the heat and prevent burns.
- Do not leave any hot parts unattended until they cool down. Keep them in properly isolated places intended for this purpose.



Danger of electric shock, which may cause death

Touching live electrical parts can cause fatal shock or severe burns. The work wires are always live when the device is powered on. During MIG/MAG welding, the welding wire, the filler feeding system and all parts touching the welding wire are live. Improperly installed or poorly grounded equipment poses a fatal electric shock hazard.

- Connect the main power cord according to the Manual and local standards and regulations.
- Avoid any bare-hand contact with live electrical parts of the welding circuit, electrodes and wires.
- You must wear dry welding gloves when carrying out any welding tasks.
- Keep the cables dry, free from oil and grease, and protect them from any hot metal and sparks.

- Frequently check the input power cord for wear, preferably each time the welding device is plugged in. In case of damage, immediately have the device replaced by a trained person or take the device to an authorized service centre; uninsulated wires are dangerous and can cause death.
- Do not use damaged, oversized/undersized improperly connected cables!
- Do not pull cables over body parts!



Hazard caused by electronic magnetic field

Devices can generate electromagnetic or electrical fields that may interfere with the operation of other electrical equipment for data processing, affect telecommunications connections, network cables and implanted medical devices.

- Remember to fully extend the welding cables.
- Never wrap welding cables around the body.
- Users of implanted medical devices should consult their physician before starting work with any welding device.



Moving parts hazard

Rotary parts such as the fan or wire feed system can cut or crush limbs.

*It is prohibited to remove the fan guards and open the wire feed chamber (in the case of MIG/MAG) while the device is operating.

*Keep your hair, loose clothing or tools away from rotating parts, as they can cause your limb to be pulled in, severed or cut off.



Hazard caused by welding wire

Welding wire can cause cuts, unintentional device activation may lead to uncontrolled wire extension. Do not direct the torch parts towards your face or other people.

Class B equipment: Class B equipment is suitable for use in all locations, including residential locations where electrical power is supplied by a public low-voltage power supply grid.

Intended use

Remember that you are responsible for installing and using arc welding equipment in accordance with the manufacturer's Manual. Read and follow the existing and health and safety regulations and directives related to the work performed with a welding rectifier! Remember to apply them during work and around people working within the device operation area. The user should have qualifications related to the welding method used when operating this device.

Working environment: The environment in which the arc welding/cutting device is installed must be free from grinding dust, corrosive chemicals, flammable gases or materials and with a maximum humidity of 80%.

- When used outdoors, protect the device from direct sunlight, rainwater, snow, etc.
- The temperature at which the device operates should be between -10°C and +40°C.
- Provide good ventilation and keep the equipment at least 30 cm from the wall to ensure adequate air flow to the fan to dissipate the heat generated by the device during operation.

Ventilation is crucial for normal operation and service life of the device. If the device is used excessively, in an excess temperature environment or in a poorly ventilated room, the thermal overload switch will trip and the device will stop working. In such a situation, leave the device turned on so that the running fan can lower the temperature of components. The device will be ready for operation after reaching a safe temperature level.

- Operating voltage: please refer to the table in the Manual and on the machine housing. Improper connection may result in damage to accessories and power source. Each time before connecting the device, check the technical condition of its cables. The device with worn or cut (damaged) insulation is not fit for use. In this case, replace the cables or contact the manufacturer's service centre.

- The working area should be properly prepared to minimise the risk of hazard. Remove all flammable materials from the working area, including tanks with liquids or flammable gases. The device should be in an easily accessible place for ergonomic and safe operation.

NOTE!

- The equipment has been designed for work and transport in an upright position. Improper use may cause damage to the device.
- Make sure that the accessories and welding cables are connected to the appropriate sockets and secured against unplugging. The sockets that remain disconnected should be closed with plugs. Do not connect handles or cables incompatible with the device.
- The set of shielding gas cylinder (including cylinder, reducer, hose, terminals connecting the cylinders to the device) should be checked for tightness to eliminate any leaks. The cylinder should be located in the corner of the room or in a place adapted to store it, so that the cylinder can be blocked to prevent tipping over.
- It is prohibited to move the device by pulling it by working cables or power cord, and any damage caused in this way is not covered by warranty. To move the device, use the handles and grips intended for this purpose.
- Place the cables flat on the floor, avoid loops. Do not move cables over other cables and avoid pulling wires through passageways or transport routes.

Do not repair or modify the device on your own. In order to protect the user as much as possible and avoid the risk of damage to the equipment, repairs and modifications may be carried out only by qualified and authorised persons (manufacturer's service staff). Unauthorized interference with the equipment will void the warranty!

Maintenance

Schedule of works recommended to be performed for proper operation of the device.

Before starting any activity related to maintenance of the device or checking its technical condition, remember to unplug the device from the power source. All these operations should be carried out with dry and clean tools. It is prohibited to open the housing while the machine is connected to the power supply. Any interference with the welding rectifier on your own may cause the deterioration of safety and functionality, and void the warranty.

Operation	Frequency of work
<ol style="list-style-type: none"> 1. Visual inspection of the housing, control panel, knobs, transport elements and wheels. 2. Visual inspection of the power cord, including the plug. Verification of electrical wire insulation. 3. Visual inspection of the working cables of the device. Verification of electrical insulation of working cables and correctness of device connection. 4. Visual inspection of the device cooling fan. Verification whether the fan operates correctly. 5. Visual inspection of the ventilation holes in the device. Verification whether the holes are not clogged or obstructed. 6. Cleaning the exterior of the device to remove dust and solid impurities. 7. Visual inspection of the gas hose connecting the cylinder reducer with the welding device. Verification whether the gas hose is connected tightly and correctly. 	Daily
<ol style="list-style-type: none"> 1. Cleaning the interior of the device to remove dust and solid impurities using compressed air. 2. Visual inspection of electrical connections inside the device. Verification whether the contacts of internal electrical components are connected correctly. 3. Visual inspection of wire feed system components. Verification of the fastening of rollers and the guide bushing of the wire feeder. 	Once a month

Electrical equipment must not be disposed of in a household waste container! With regard to the WEEE Directive (Directive 2012/19/EU) applicable within the European Union, these products must be disposed of in accordance with local regulations. Due to the valuable raw materials in the device, which should be recovered in the recycling process, the device should be disposed of or recycled to an appropriate waste segregation point. Such an electrical device can be disposed of during the arranged collections; all information can be obtained from the competent municipal office or gmina office.



Troubleshooting

If you notice that the device does not work properly, check the following examples and solutions, as it does not necessarily mean a failure, and you can perform the analysis yourself. If you have any questions or concerns, please contact an authorised service centre.

The device does not ignite the arc

- Check the connection of the working cables to the welding device.
- Check the fastening of welding gun elements (disks, contact tips, connectors, welding electrode).

The device does not switch on

- Check the electrical cables, power plug, extension cord.
- Check the electrical mains protection.

Too low or too high voltage supplying the device

Too low voltage is usually caused by too many devices connected to the installation within one switching station. Too high voltage results from an installation that uses additional energy sources, such as photovoltaics.

Device overload

Check and adjust the welding current settings. In this case, the device needs time to cool the components to the correct temperature. Do not turn off the device, the fan must run.

The welding wire does not extend

- Check the type and pressure of the wire feeder rollers.
- Check the wire feeder insert in the welding gun.

No shielding gas flow

- Check if the gas is in the cylinder and if the control valve is open.
- Check the correct operation of the solenoid valve.

The fan does not start

The device is equipped with the FAN STOP function – the fan switches on when welding. If the cooling fan does not start during welding, contact the service centre.

Wiring diagram of welding guns

TIG gun connection

1. Connect the current plug of the TIG gun to the current socket on the front panel of the device.
2. Connect the current plug of the TIG gun to the control socket on the front panel of the device.
3. Connect the gas plug of the TIG gun to the gas connector on the front panel of the device.
4. The gun should be properly and rigidly fixed to the current socket, and the control and gas plugs should be pushed in and tightened if necessary. Incorrect mounting of the gun may damage it and, as a consequence, damage the entire device.

MIG gun connection

1. Connect the EURO plug of the MIG/MAG gun to the EURO socket on the front panel of the device.
2. Verify that the gun plug is properly aligned with the EURO socket. Pay attention to the connection of the control pins and the end of the wire guide insert.
3. Tighten the EURO plug nut clockwise.
4. The gun should be attached to the socket correctly and rigidly. Incorrect mounting of the gun may damage it and, as a consequence, damage the entire device.

MMA electrode holder connection

1. Connect the current plug of the TIG electrode holder to the current socket on the front panel of the device.
2. Tighten the power plug clockwise.
3. The holder should be attached to the current socket correctly and rigidly. Incorrect mounting of the holder may damage it and, as a consequence, damage the entire device.

Ground clamp connection

1. Connect the current plug of the ground clamp to the current socket on the front panel of the device.
2. Tighten the power plug clockwise.
3. The clamp should be attached to the current socket correctly and rigidly. Incorrect mounting of the clamp may damage it and, as a consequence, damage the entire device.

Installation of welding wire spool

1. Unlock the tensioner of welding wire guide rollers.
2. Unscrew the nut securing the welding wire spool.
3. Attach the spool with the ready adapter or use the adapter designed for given wire spools; pay particular attention to the direction of wire unwinding. The wire must come off the spool and be flush with the guide rollers. The locking pin should be in the adapter/spool positioning hole.
4. Secure the spool with the locking nut.
5. Check if the rollers match the welding wire cross-section (marking engraved on the roller), pass the wire through the guide tip. The welding wire should be parallel to the groove of the feeder rolls. Extend the filler1 until it is approx. 5-10 [mm] beyond the EURO socket outlet. Secure the wire feeder tensioner, set in the range of 2.5-4 (for solid hard wire, black/stainless steel), 2-3.5 for soft/core wire (wire for aluminium, braze welding, powder coating or self-shielding).

Gas cylinder connection diagram

1. The cylinder must be placed in an upright position in a place intended for this purpose or on the device trolley.
2. Secure the cylinder so that it does not tip over. If the device features a transport trolley, it comes with appropriate chains for securing gas cylinder.
3. Make sure that the cylinder valve is closed.
4. Screw the reducer to the cylinder.
5. Connect the gas hose to the gas reducer stub pipe.
6. Secure the connection with the clamping band.
7. Connect the gas hose to the welding device stub pipe.
8. Secure the connection with the clamping band.
9. Unscrew the cylinder valve.
10. Unscrew the reducer valve and set the appropriate shielding gas flow.
11. Close the cylinder valve after finishing welding.



POWER PARAMETERS

Power supply: 230 V

Frequency: 50/60 Hz

Idle voltage: 65 V

AC/DC TIG PARAMETERS

PRE GAS [s] 0-1

start Amp welding start current [A] 10-200

UP SLOPE current up slope time [s] 1-15

peak Amp peak current [A] 10-200

AC Balance [%] 10-90

Down Slope time [s] 0-25

end current [A] 10-200

Post gas outflow after process [s] 0-10

Pulse frequency [Hz] 0.5-200

Pulse cycle [%] 5-95

PHYSICAL PARAMETERS

Dimensions length x width x height: 48x21x38 cm

Weight: welding machine only (net) 14.8 kg, in the box 21kg

Housing protection: IP21S

Cooling: patented airflow system

TECHNICAL PARAMETERS

TIG welding current: 10-200 A

TIG welding voltage: 10.4-18 V

Efficiency (at 40°C):

40%/ 200A / 18V

60%/163 A/16.5V

100%/ 126 A/ 15 V

MMA welding current: 30-200 A

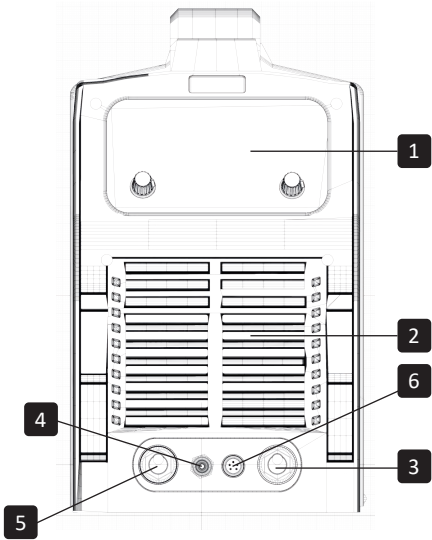
MMA welding voltage: 21.2-28 V

MMA efficiency (at 40°C):

40%/200 A/ 28V

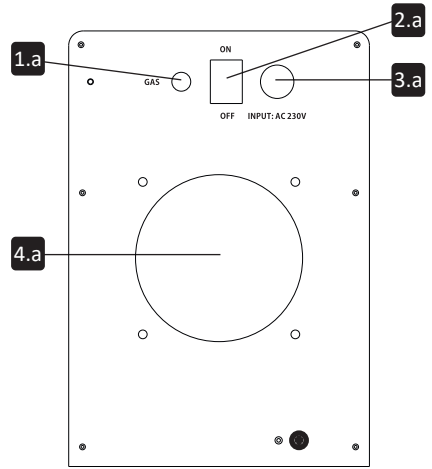
60%/ 163 A / 26.5 V

100%/ 126 A/ 25 V



Front view

- 1. Control panel
- 2. Ventilation holes
- 3. Negative pole socket
- 4. Shielding gas connection
- 5. Positive pole socket
- 6. TIG gun control socket



Rear view

- 1.a. Shielding gas connection
- 2.a. Device main switch
- 3.a. Mains cable connection
- 4.a. Ventilation holes

Preparing the device for welding

Preparing the device – MMA welding method

1. Connect the current plug of the TIG electrode holder to the current socket on the front panel of the welding device.
2. Connect the current plug of the ground clamp to the current socket on the front panel of the welding device.
3. Connect the ground clamp to the workpiece or welding table.
4. Start the device with the power switch located on the rear panel of the device.
5. On the control panel, select and set the device according to the required parameters.
6. The device is ready for operation.

Preparing the device – MIG/MAG welding method

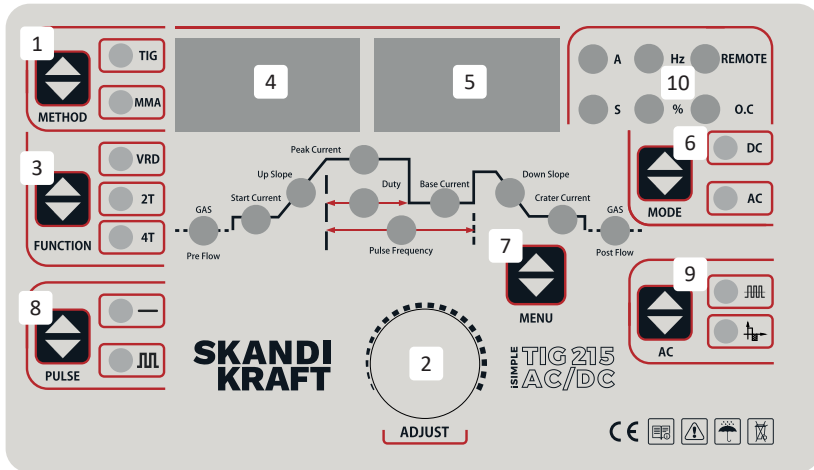
1. Connect the welding gun to the EURO socket, remember to correctly install the wire spool beforehand, see the "Installation of the welding wire spool".
2. Connect the cylinder and reducer set (see "Gas cylinder connection diagram") to the stub pipe on the back of the device.
3. Connect the cable to determine the polarity of the EURO socket to the "+" pole.
4. Connect the current plug of the ground clamp to the current socket on the front panel of the welding device.
5. Connect the ground clamp to the workpiece or welding table.
6. Start the device with the power switch located on the rear panel of the device.
7. Straighten the welding gun as much as possible, lay flat on the ground (this will help to easily extend the wire). Use the quick feed option/button to extend the wire beyond the other end of the welding gun. Shorten the wire to protrude 2-5 mm beyond the end of the gun.
8. On the control panel, select and set the device according to the required parameters.
9. The device is ready for operation.

Preparing the device – FLUX welding method

1. Connect the welding gun to the EURO socket, remember to correctly install the wire spool beforehand, see the "Installation of the welding wire spool".
2. Connect the cylinder and reducer set (see "Gas cylinder connection diagram") to the stub pipe on the back of the device.
3. Connect the cable to determine the polarity of the EURO socket to the "-" pole.
4. Connect the current plug of the ground clamp to the current socket on the front panel of the welding device.
5. Connect the ground clamp to the workpiece or welding table.
6. Start the device with the power switch located on the rear panel of the device.
7. Straighten the welding gun as much as possible, lay flat on the ground (this will help to easily extend the wire). Use the quick feed option/button to extend the wire beyond the other end of the welding gun. Shorten the wire to protrude 2-5 mm beyond the end of the gun.
8. On the control panel, select and set the device according to the required parameters.
9. The device is ready for operation.

Preparing the device – TIG welding method

1. Connect the current plug of the TIG gun to the current socket on the front panel of the welding device, "-" pole
2. Connect the cylinder and reducer set (see "Gas cylinder connection diagram") to the stub pipe on the back of the device.
3. Connect the current plug of the ground clamp to the current socket on the front panel of the welding device, "+" pole
4. Connect the ground clamp to the workpiece or welding table.
5. Start the device with the power switch located on the rear panel of the device.
6. On the control panel, select and set the device according to the required parameters.
7. The device is ready for operation.



1. Welding method selection:

- MMA – metal arc welding using a coated electrode,
- TIG HF – tungsten inert gas welding using a non-consumable electrode.

2. Function knob for selecting current [A], gas flow time [s], current up slope/down slope time [s], pulse frequency [Hz] and pulse cycle [%].

3. Function button:

- VRD – voltage reduction device,
- 2T – two touch welding. To start and ignite the arc, press the button on the welding gun and hold it during welding; releasing the button will extinguish the welding arc.
- 4T – four touch welding; to start the arc, press the button on the welding gun and then release it. The arc will be maintained. To extinguish the welding arc, press the button again and release it.

4. Notification display for showing the parameter settings data and errors.

5. The display showing the set parameters works in combination with the notification LEDs; see point 10

6. Welding mode selection:

- DC welding,
- AC/DC welding.

7. Adjustment of welding parameters. Select the parameter with the (MENU) button, then set it within the relevant range with knob 2:

- Pre Flow(GAS)[s] – gas flow before arc ignition,
- Start Current[A] – welding start current, which goes up linearly for the time set with Up Slope[s] and reaches Peak Current[A],*Duty[%] – pulse balance between AC and DC,
- Pulse Frequency[Hz] – frequency of current transition from AC to DC in relation to 1 [s].
- Base Current [A] – base current in DC; lower current in AC/DC method.
- Down Slope [s] – extinguishing for the set time, from the base current to the current set in Crater Current [A]. The current in which the material is extinguished and cooled to prevent any welding inconsistency.
- Post Flow(GAS)[S] – gas flow after welding.
- Press and hold the button for 5[s] and then release it to return to factory settings. This can fix problems related to the device system.

8. Selection of DC or AC (pulse) welding.

9. Selection of waveform for AC/DC welding.

10. Notification LEDs.

WARRANTY CARD

General information:

The warranty card is dedicated to SKANDI KRAFT® devices. The use of the warranty is the right of the person who has SKANDI KRAFT® equipment to which the warranty card has been attached. The warranty does not exclude or limit the right to exercise the entitlement related to non-compliance of the goods with the agreement, warranty or other rights resulting from the provisions of law.

The purpose of the warranty is to grant consumers rights that go beyond those resulting from legal provisions, and therefore, in the event of any interpretation doubts, the provisions of the warranty should be interpreted with this intention.

The warranty card is dedicated to more than one country, with particular emphasis on European markets. Therefore, if the provisions of law in a given country grant consumers broader warranty rights than those resulting from the SKANDI KRAFT warranty card, then in this country the warranty entitles consumers to protection at a level at least equal to the provisions of law. The provisions of the warranty card that are less favourable to the consumer do not apply and are replaced with regulations analogous to the provisions of law in that country. This principle also applies to entrepreneurs or other entities, if the law in a given country grants them rights that cannot be legally excluded.

Important information:

Remember to read the Manual before using the SKANDI KRAFT device. If, despite starting the device in accordance with the Manual, it does not work properly, we suggest using our free helpline: (+48) 733 848 489 or (+48) 668 176 610. Perhaps our employees will help solve the problem with the device and it will not be necessary to use the warranty card or other rights related to non-compliance of the SKANDI KRAFT device with the agreement.

Terms of warranty:

1. The granted warranty is valid for:

- 24 months in the case of the consumer and persons to whom the provisions of law grant analogous and absolute protection to the extent such as for the consumer,
- 12 months for other entities.

2. The warranty is valid from the moment the product is handed over. If the product has been handed over in connection with the order placed with the seller, the delivery date is the date when the device is delivered by the carrier to the buyer or a person authorised by them.

3. The person using the warranty should demonstrate that the warranty is still valid. The basic document for demonstrating this is a receipt or invoice, possibly a transport document, but these circumstances may also be proven in another way.

4. The warranty covers defects revealed during the warranty period.

5. The warranty is provided by the manufacturer: NEMES POLSKA Sp. z o.o. or by warranty service centres authorised by the Manufacturer (hereinafter jointly referred to as the "Service"). The current list of Services can be found at www.skandi-kraft.com. If the warranty is used in a country other than the country of the Manufacturer's seat, and the Manufacturer has a Service point in that country, the obligations of the guarantor are performed in this country by such a Service point.

6. Before delivering the SKANDI KRAFT device to the Service, for more efficient warranty service, please contact the Service at (+48) 733 848 489 or (+48) 668 176 610 or by e-mail: serwis-skandi-kraft.com and send to the e-mail address a completed warranty form, which can be downloaded from: www.skandi-kraft.com or according to the template included in the warranty card.

7. When submitting a warranty claim on the terms described in point above, the Service may ask you to send photos of the device or provide further information. At this stage, the Service may take into account the warranty and inform that it is not necessary to deliver the device to the Service, as it will be replaced with a new one, sent to the address specified in the claim. The Service may also present a preliminary negative position as to the warranty claim, in particular by indicating that the claim applies to wearing parts not covered by warranty. However, in the latter case the claim is considered made only upon delivery of the device to the Service, and the Service's position is only a preliminary assessment of the claim, without verification of a given device.

8. The cost of delivering the device to the Service is borne by the person using the warranty. If the claim is considered justified, this cost is reimbursed after prior documentation. This provision applies accordingly to the costs of returning the device to the person who has used the warranty.

9. Before delivering the device to the Service, it should be cleaned of possible dirt, in particular lubricants, paint and especially any substances harmful to health or life.
10. Once the device is delivered, the Service will provide information within 14 days as to accepting or refusing the warranty claim. It is also permissible to partially accept the warranty claim.
11. The approximate time for repairing the device is 14 days. If parts are not available, this time may be extended and the customer will be informed about this fact. If the device cannot be repaired, it will be replaced with a new one. If the Manufacturer no longer has the model covered by the warranty, it will offer the most similar model or refund the purchase price.
12. The warranty does not cover mechanical damage and damage resulting from improper operation:
- damage related to the use of the device, unless the cause was defects in the device at the time of handover,
 - physical and external damage, such as dents, falls from heights, cuts, abrasions, atmospheric discharges, overvoltage in the mains and similar,
 - damage resulting from use inconsistent with the Operating Manual, including lack of device maintenance or improper storage of the device,
 - changes resulting from modifications or repairs carried out by unauthorised persons,
 - damage caused by improper connection to the mains or poor parameters of the mains,
 - lack of the nameplate voids the warranty.
13. The warranty does not cover wearing parts such as welding guns, including wearing parts attached to it (insulators/diffusers, connectors, contact tips, gas nozzles and guards), replaced parts of the feeder (feeder rolls, wire guides), ground clamps, electrode holders, control plugs, power plugs, unless they were inconsistent with the agreement when the device was handed over. In the event that damage to consumable parts that are not covered by the warranty is reported under the warranty, the Service informs the claimant about it, also providing them with information about the cost of replacing such a part. Such repairs are considered an out-of-warranty repair, and the customer bears the transport and repair costs. This provision applies accordingly to Skandia devices damaged in a manner not covered by the warranty.
14. In the case of out-of-warranty repairs, their cost, including the cost of delivery and return of product, are borne by the person who made the warranty claim. However, in any case, the Service will obtain consent to perform an out-of-warranty repair before it is carried out.
15. During transport, the product should be properly secured, for example, in original packaging, with filling preventing free movement of the device and protecting against damage during transport. The Service and the Manufacturer are not liable for damage to the device during transport, unless such transport was arranged by them. Therefore, in order to protect your own rights before and after packaging, it is advisable to take photos that document the condition of the device and the method of its securing for the duration of transport.
16. If the SKANDI KRAFT device is replaced with a new one, the warranty period starts when the device is delivered to the warranty beneficiary. Where only individual parts of the device are replaced, the rule set out in the previous sentence applies only to those parts.

Device Name:	Purchase Document No.:
Model:	Purchase Date:
Serial Number (SN):	Date and User Signature:

***Remember to fill in the above boxes, they will be a confirmation of reading the card and the basis for recognising the warranty.**

Service notes:

No.	Fault Code	Date	Notes	Service Technician signature

- You can use the Fault Code to find out what was fixed during the service work on the skandi-kraft.com website.
- Please fill in all boxes legibly.

Table for notes

No.	Welded material type	Diameter [Ø] of welding filler (wire)	Material Type Fillers	Welding current parameters		Wire feed rate [m/min]	Gas flow [l/min]
				[A]	[V]		
1							
2							
3							
4							
5							
6							
7							
8							
9							
10							
11							



Allgemeine Informationen

Bevor Sie jegliche Arbeiten mit dem Schweißgerät aufnehmen, die Betriebsanleitung lesen!

- Die Kenntnisnahme und Beachtung der Bedienungsanleitung wird einen sicheren Betrieb unserer Geräte ermöglichen.
- Die Bedienungsperson des Schweißgerätes sollte für die Bedienung von Geräten dieser Art qualifiziert und geschult sein.
- Bedienungsanleitung und Symbole, die für Informations- und Sicherheitszwecke angebracht sind, beachten.
- Vorschriften und Richtlinien befolgen, die sich auf den Arbeits- und Gesundheitsschutz bei Arbeiten mit Schweißgeräten beziehen.
- Die Bedienungsanleitung in der Nähe des Bereichs aufbewahren, in dem das Gerät benutzt wird.
- Das Gerät kann technische Änderungen aufweisen, die durch eine kontinuierliche Entwicklung der darin verwendeten Technologie bedingt sind. Deshalb kann die Funktion durch Details von der Beschreibung in der Bedienungsanleitung abweichen.



Gefahr durch ungeeignete Kleidung

Beim Schweißen sind Sie solchen Faktoren wie hohe Temperatur und Hochspannung ausgesetzt, die sich bedingt durch das Lichtbogenschweißen nicht eliminieren lassen. Bei der Arbeit mit diesem Gerät müssen Sie mit entsprechender persönlicher Schutzausrüstung ausgestattet sein. Die Ausrüstung soll Sie u.a. vor folgenden Gefahren schützen:

- Staub, Gase und Rauch, die im Schweißprozess entstehen: Atemschutz, der für eine ausreichende Filterung sorgt oder Maßnahmen, dank denen die Verunreinigungen abgesaugt werden.
- Ionisierende, IR- und UV-Strahlung sowie hohe Temperatur: Schweißschutzhelm mit geeignetem Schweißfilter, trockene Kleidung aus schwer entflammablen Materialien (Handschuhe, Körper- und Beinschutz), die auch Schutz vor Stromschlag bietet.
- Sturz eines schweren Teils aus der Höhe: Sicherheitsschuhe, die die Füße und teilweise die Beine abdecken und mit Schutzkappen versehen sind.
- Lärm: Gehörschutz (Gehörschutzstöpsel, Gehörschutz).



Explosionsgefahr

Stoffe in Behältern sind sicher, können aber nach Erhitzung extrem gefährlich sein, da sie durch Erhitzung einen Überdruck erzeugen können. Der Arbeitsbereich muss frei von leicht entflammablen Mitteln und Druckbehältern mit Gas bzw. Flüssigkeit sein. Die Bearbeitung von Materialien mithilfe von Funken oder hohen Temperaturen kann zur Erhitzung von Flüssigkeiten, Fluiden, Gasen oder Stäuben und demzufolge zu einer Explosion führen.



Gefahr durch unsachgemäße Bedienung der Schutzgasflasche

Schutzgasflaschen enthalten Gas unter hohem Druck. Bei Beschädigung kann die Flasche bersten!

Gasflaschen sind in der Regel Teil des Schweißverfahrens, daher müssen Sie sie vorsichtig handhaben. Zylinder können bei Beschädigung bersten.

- Gasflaschen vor übermäßiger Hitze, mechanischen Erschütterungen, physikalischen Beschädigungen, Schlacke, offenem Feuer, Funken und Bögen schützen!

- Sichergehen, dass die Flaschen sicher und senkrecht gehalten werden, um das Umkippen zu verhindern. Niemals zulassen, dass die Schweißelektrode oder die Erdungsklemme mit der Gasflasche in Berührung kommen! Schweißkabel nicht oberhalb die Flasche führen!
- Niemals auf einer Druckgasflaschen schweißen!
- Keine Teile am Ventil sowie am Druckminderer-Satz montieren!



Gefahr der Kumulation von Gasen, die Sauerstoff aus der Umgebung verdrängen

Gase, die sich am Arbeitsplatz sammeln, können die Entstehung giftiger Umweltbedingungen verursachen, was zu Bewusstlosigkeit oder sogar Tod führen kann. Technische Gase sind häufig unsichtbar und geruchsfrei, daher sind sie nur schwer zu erkennen.

- Achten Sie auf einen angemessenen Schutz, sorgen Sie für die Ausstattung mit entsprechenden Luftfiltern oder Anlagen, die frische Luft aus der sauberen Umgebung zuführen.
- Räume sollten mit funktionsfähigen Lüftungssystemen und Absauganlagen, die Gase und Stäube aus der Umgebung absaugen, ausgestattet sein.
- Vergessen Sie nicht, die Gasflasche zu schließen, wenn das Gerät nicht verwendet wird.



Brandgefahr

Funken vom Schweißbogen, heiße Teile können Brand und Verbrennungen verursachen. Bei einem zufälligen Kontakt der Elektrode mit Metallteilen kann es zu Funkenbildung, Überhitzung, Explosion oder Brand kommen. Vor Beginn der Schweißarbeiten sichergehen, dass das Umfeld sicher ist.

- Funken und Schweißspritzer können Brand verursachen, deshalb entfernen Sie alle leicht entflammaren Materialien vom Arbeitsplatz. Verwenden Sie die dafür vorgesehenen Schutzvorrichtungen, um diese Stoffe bzw. Materialien zusätzlich zu schützen.
- Nicht auf geschlossenen Behältern, Rohren schweißen, es sei denn, sie sind entsprechend den Sicherheitsanforderungen dafür geeignet. Sichergehen, dass sie von entflammaren bzw. giftigen Dämpfen und Stoffen, die eine Explosion verursachen können, entleert wurden, auch wenn der Behälter „gereinigt“ wurde. Leere Gussteile und Behälter vor Erhitzen, Schneiden und Schweißen entlüften. Sie können bersten.
- Nicht an Orten schweißen, an denen die Atmosphäre Staub, Gas oder Dämpfe leicht entflammbarer Flüssigkeiten (z.B. Benzin) enthalten kann.
- In der Nähe müssen Sie stets über einen entsprechenden Feuerlöscher vorhalten und ihn im Fall einer Gefahr bedienen können. Funken oder Spritzer können leicht durch Spalten, Nischen und Risse durchdringen. Bedenken Sie, dass das Schweißen einen Brand in einem Nachbarraum oder dessen verborgenem (unsichtbarem) Teil verursachen kann.



Verbrennungsgefahr

Schweißgegenstände erzeugen hohe Temperaturen und behalten sie auch über eine längere Zeit und können schwere Verbrennungen verursachen.

- Berühren Sie die erhitzten Teile nicht mit bloßen Händen! Schweißhandschuhe verwenden, die hitzeisolierend wirken und Verbrennungen verhindern.
- Keine erhitzten Teile unbeaufsichtigt lassen, bis sie abgekühlt sind. An dafür vorgesehenen und entsprechend isolierten Stellen lagern.



Gefahr eines Stromschlags, der zum Tod führen kann

Das Berühren von spannungsführenden Teilen kann einen lebensgefährlichen Stromschlag oder schwere Verbrennungen verursachen. Die Arbeitsleitungen stehen stets unter Spannung, wenn die Stromversorgung des Gerätes eingeschaltet ist. Beim MIG-/MAG-Schweißverfahren stehen der Schweißdraht, das Vorschubsystem des Schweißzusatzwerkstoffs und alle Teile, die den Schweißdraht berühren, unter Spannung. Ein unsachgemäß installiertes oder falsch geerdetes Gerät stellt eine tödliche Stromschlaggefahr dar.

- Das Hauptversorgungskabel gemäß der Anleitung und den am Einbauort geltenden Normen und Vorschriften anschließen.
- Jegliche Berührung der elektrischen Teile des Schweißkreises unter Spannung, Elektroden und Drähte mit bloßen Händen vermeiden.
- Bei der Durchführung der Schweißarbeit trockene Schweißhandschuhe tragen.
- Kabel im trockenen, öl- und fettfreien Zustand halten und vor heißem Metall und Funken schützen.
- Das Eingangskabel häufig auf Verschleiß prüfen, vorzugsweise bei jedem Anschließen des Schweißgerätes an die Stromversorgung. Bei Beschädigung eine geschulte Person sofort mit dem Austausch beauftragen oder das Gerät bei einer autorisierten Servicestelle anmelden, nicht isolierte Kabel sind gefährlich und können lebensgefährlich sein.
- Kabel, die beschädigt sind, nicht den erforderlichen Maßen entsprechen oder falsch angeschlossen sind, nicht benutzen!
- Kabel nicht oberhalb der Körperteile führen!



Gefahr durch elektronisches Magnetfeld

Geräte erzeugen ein elektromagnetisches oder elektrisches Feld, das die Funktion anderer elektrischer Datenverarbeitungsgeräte, Telekommunikationsnetze, Netzleitungen und implantierten medizinischen Geräte beeinträchtigen kann.

- Nicht vergessen, Schweißkabel vollständig auszurollen.
- Schweißkabel nie um den Körper wickeln.
- Benutzer implantierter medizinischer Geräte sollten einen Arzt konsultieren, bevor sie mit der Arbeit an einem beliebigen Schweißgerät beginnen.



Gefahr durch bewegliche Teile

Rotierende Teile wie Ventilator oder Drahtvorschubgerät können Verletzungen oder Quetschungen der Extremität verursachen.

- Das Abbauen der Ventilatorabdeckungen und das Öffnen der Kammer des Drahtvorschubgerätes (bei MIG/MAG) während des Betriebs des Gerätes sind verboten.
- Haare, lose Kleidungsstücke und Werkzeuge fern von rotierenden Teilen, da sonst eine Extremität erfasst, abgetrennt oder abgeschnitten werden kann.



Gefahr durch Schweißdraht

Der Schweißdraht kann eine Verletzung herbeiführen; ein unbeabsichtigtes Einschalten kann zu einem unkontrollierten Ausschub des Drahtes führen. Brennteile nicht in Richtung des Gesichts oder anderer Personen richten.

Ausrüstung B-Klasse: Geräte der B-Klasse eignen sich für den Einsatz an allen Standorten, einschließlich Wohneinheiten, bei denen die Stromversorgung durch das öffentliche Niederspannungssystem erfolgt.

Bestimmungsgemäße Verwendung

Der Benutzer sollte hiermit daran erinnert werden, dass er für die Installation und Benutzung von Lichtbogenschweißgeräten gemäß Herstelleranweisung verantwortlich sind. Vorhandene Vorschriften und Richtlinien, die sich auf den Arbeits- und Gesundheitsschutz bei Arbeiten unter Verwendung eines Schweißgleichrichters beziehen, lesen und befolgen. Darauf achten, dass sie während der Arbeit und von Personen, die im Arbeitsbereich des Gerätes tätig sind, befolgt werden. Der Benutzer sollte im Besitz einer Zulassung für das Schweißverfahren sein, das er mit diesem Gerät ausführt.

Arbeitsumgebung: Die Umgebung, in der das Schweiß-/Lichtbogenschneidegerät installiert ist, muss frei von Schleifstaub, ätzenden Chemikalien sowie leicht entflammaren Gasen und Materialien sein und eine Feuchtigkeit von höchstens 80% aufweisen.

- Beim Einsatz im Außenbereich das Gerät vor direkter Einwirkung von Sonnenstrahlen, Regenwasser und Schnee etc. schützen
- die Umgebungstemperatur, bei der das Gerät betrieben wird, soll zwischen -10 °C und +40 °C liegen.
- Für eine gute Lüftung sorgen, das Gerät mindestens 30 cm von den Wänden entfernt halten, um einen entsprechenden Luftstrom für den Ventilator sicherzustellen, der zur Streuung der durch das Gerät während der Arbeit erzeugten Wärme dient.

Die Lüftung ist für einen ordnungsgemäßen Betrieb und die Lebensdauer des Gerätes von entscheidender Bedeutung. Wird das Gerät in übermäßigem Maße oder in einer Umgebung mit übermäßiger Temperatur oder in einem schlecht belüfteten Raum eingesetzt, wird ein thermischer Überlastschalter aktiviert und das Gerät außer Betrieb gesetzt. In diesem Fall das Gerät eingeschaltet lassen, damit der weiterhin laufende Ventilator die Temperatur der Baugruppen weiter senken kann. Das Gerät wird bei Erreichen eines sicheren Temperaturniveaus betriebsbereit sein.

- Betriebsspannung des Gerätes: bitte die Tabelle in der Bedienungsanleitung und am Maschinengehäuse lesen. Ein unsachgemäßer Anschluss kann zur Beschädigung des Zubehörs und der Stromquelle führen. Jedes Mal wenn das Gerät angeschlossen wird, den technischen Zustand der Leitungen prüfen. Ein Gerät mit einer durchgeschnittenen (beschädigten) Isolierung ist nicht betriebsfähig, in diesem Fall die Leitungen wechseln oder die Servicestelle des Herstellers kontaktieren.
- Der Arbeitsplatz sollte entsprechend vorbereitet sein, um die Gefahren zu minimieren. Vom Arbeitsplatz alle leicht entflammaren Materialien, darunter Behälter mit Flüssigkeiten und leicht entflammaren Gasen entfernen. Das Gerät sollte sich an einer leicht zugänglichen Stelle befinden, damit es ergonomisch und sicher benutzt werden kann.

ACHTUNG!

- Die Geräte sind für den Betrieb und Transport in senkrechter Lage bestimmt. Eine unsachgemäße Benutzung des Gerätes kann zu einer Beschädigung führen.
- Darauf achten, dass das Zubehör und die Schweißleitungen an entsprechende Steckdosen angeschlossen werden und gegen Abklemmen gesichert sind. Steckdosen, die ohne Anschluss bleiben, mit Stopfen verschließen. Keine Griffstücke, Leitungen, die mit dem jeweiligen Gerät nicht kompatibel sind, anschließen.
- Die Baugruppe der Schutzgasflasche (Flasche, Druckminderer, Schlauch, Verbindungsstücke zwischen der Flasche und dem Gerät) auf Dichtheit prüfen, um jegliche Leckagen zu beseitigen. Die Flasche muss sich in einer Raumecke oder an einem Ort befinden, der für die Lagerung von Flaschen geeignet ist und an dem die Flasche gegen das Umkippen gesichert werden kann.
- Das Gerät darf nicht durch Ziehen an Arbeitsleitungen oder am Netzkabel bewegt werden. Beschädigungen, die auf diese Weise entstanden sind, fallen nicht unter die Garantie. Zum Verschieben des Gerätes die dafür vorgesehenen Halterungen und Griffe verwenden.
- Leitungen flach auf dem Boden verlegen, Schlaufenbildung meiden. Kabel nicht oberhalb anderer Kabel führen. Leitungen nicht quer durch Verkehrs- oder Transportwege verlegen.

Das Gerät nicht selbsttätig instand setzen oder ändern. Um den Benutzer so weit wie möglich zu schützen und das Risiko von Geräteschäden zu vermeiden, dürfen Reparaturen und Änderungen nur von qualifizierten und befugten Personen (Servicestelle des Herstellers) durchgeführt werden. Bei einem unberechtigten Eingriff in das Gerät erlischt die Garantie!

Wartung

Zeitplan für Arbeiten, die für einen ordnungsgemäßen Betrieb des Gerätes empfohlen werden.

Vor Beginn jeder Tätigkeit im Zusammenhang mit der Wartung des Gerätes bzw. Prüfung dessen technischen Zustands sollte das Gerät von der Stromversorgung getrennt werden. Alle diese Tätigkeiten mit trockenen und sauberen Werkzeugen durchführen. Es ist verboten, das Gehäuse zu öffnen, während die Maschine an die Versorgung angeschlossen ist. Jeder eigenwilliger Eingriff in den Schweißgleichrichter kann die Sicherheit und Funktionstüchtigkeit beeinträchtigen und auf einen Verlust der Garantie hinauslaufen.

Tätigkeit	Zeitintervall
<ol style="list-style-type: none"> 1. Sichtprüfung Gehäuse, Bedienpult, Handräder, Transportelemente, Rollen. 2. Sichtprüfung Versorgungsleitung, einschließlich Stecker. Prüfung der Isolierung des Stromkabels. 3. Sichtprüfung Arbeitsleitungen des Gerätes. Prüfung der elektrischen Isolierung der Arbeitsleitungen und des richtigen Anschlusses an das Gerät. 4. Sichtprüfung Kühlventilator des Gerätes. Prüfung des Ventilators auf ordnungsgemäßen Betrieb. 5. Sichtprüfung Lüftungsöffnungen des Gerätes. Prüfung, ob die Öffnungen nicht verstopft oder verdeckt sind. 6. Außenreinigung des Gerätes von Staub und festen Verschmutzungen. 7. Sichtprüfung Gasschlauchverbindung zwischen Flaschendruckminderer und Schweißgerät. Prüfung des Anschlusses des Gasschlauchs auf Dichtheit und Korrektheit. 	Täglich
<ol style="list-style-type: none"> 1. Innenreinigung von Staub und festen Verunreinigungen, mit Druckluft. 2. Sichtprüfung elektrische Anschlüsse im Geräteinneren. Prüfung von Verbindungen der inneren Kontakte der elektrischen Teile auf Korrektheit. 3. Sichtprüfung Teile des Drahtvorschubs. Prüfung der Rollen und der Führungsbuchse des Drahtvorschubgerätes auf festen Sitz. 	Einmal im Monat

Elektrogeräte dürfen nicht in den Behälter für Wirtschaftsabfall entsorgt werden! Unter Bezugnahme auf die in der Europäischen Union geltende WEEE-Richtlinie (Richtlinie 2012/19/EU) sollten diese Produkte entsprechend den lokalen Vorschriften entsorgt werden. Unter Berücksichtigung der wertvollen Rohstoffe, die im Gerät enthalten sind und im Wiederverwertungsverfahren zurückgewonnen werden sollen, das Gerät zwecks Entsorgung bzw. Wiederverwertung einer entsprechenden Abfalltrennstelle zuführen. Zwecks Entsorgung eines solchen Elektrogerätes werden Sammelaktionen organisiert. Sämtliche Auskünfte können bei einer zuständigen Stadt- oder Gemeindebehörde eingeholt werden.



Problembeseherung

Sollen Sie bemerkt haben, dass das Gerät nicht ordnungsgemäß funktioniert, überprüfen Sie die folgenden Beispiele und Lösungen. Es muss sich nicht unbedingt um eine Störung handeln und die Analyse kann selbstständig durchgeführt werden. Bei Fragen oder Zweifeln wenden Sie sich bitte an eine autorisierte Servicestelle.

Das Gerät zündet den Bogen nicht

- Anschluss der Arbeitsleitungen an das Schweißgerät prüfen.
- Teile des Schweiß-Griffstücks (Düse, Stromendstücke, Verbindungsstücke, Schweißelektrode) auf festen Sitz prüfen.

Das Gerät schaltet nicht ein

- Elektrische Leitungen, Netzstecker, Verlängerungskabel prüfen.
- Die Sicherung des Stromnetzes prüfen.

Versorgungsspannung des Gerätes zu niedrig oder zu hoch

Eine zu niedrige Spannung wird meist durch Anschließen von zu vielen Geräten an eine Schaltanlage verursacht. Eine zu hohe Spannung resultiert aus einer Installation, die zusätzliche Energiequellen wie z.B. Photovoltaik nutzt.

Überlastung des Gerätes

Schweißstromeinstellungen prüfen und korrigieren. Das Gerät braucht in diesem Fall Zeit, damit die Baugruppen auf die richtige Temperatur abgekühlt werden. Das Gerät nicht abschalten, der Ventilator muss laufen.

Der Schweißdraht fährt nicht aus

- Rollen des Drahtvorschubgerätes auf Typ und Anpressdruck prüfen.
- den Einsatz des Drahtvorschubgerätes im Schweiß-Griffstück prüfen.

Schutzgas fließt nicht aus

- Prüfen, ob die Flasche mit Gas gefüllt und das Regelventil geöffnet ist.
- Magnetventil auf ordnungsgemäße Funktion prüfen.

Der Ventilator startet nicht

Das Gerät ist mit der FAN STOP Funktion ausgestattet – der Ventilator läuft beim Schweißen an. Wenn der Kühlventilator beim Schweißen nicht anläuft, eine Servicestelle kontaktieren.

Anschlusschema Schweiß-Griffstück

Anschluss des TIG-Griffstücks

1. Den Stromstecker des TIG-Griffstücks an die Stromsteckdose an der Frontplatte des Gerätes anschließen.
2. Den Steuerstecker des TIG-Griffstücks an die Steckdose der Steuerung an der Frontplatte des Gerätes anschließen.
3. Den Gasstecker des TIG-Griffstücks an den Gasanschluss an der Frontplatte des Gerätes anschließen.
4. Das Griffstück soll in der Stromsteckdose ordnungsgemäß und fest sitzen, der Steuer- und Gasstecker sollten eingedrückt sein und bei Bedarf festgezogen werden. Eine unsachgemäße Befestigung des Griffstücks kann zu dessen Beschädigung und damit zur Beschädigung des ganzen Gerätes führen.

Anschluss des MIG-Griffstücks

1. Den EURO-Stecker des MIG/MAG-Griffstücks an die EURO-Steckdose an der Frontplatte des Gerätes anschließen.
2. Den Stecker des Griffstücks auf festen Sitz in der EURO-Steckdose prüfen. Auf die Verbindung der Steuerungskontakte und des Endstücks des Drahtführungseinsatzes achten.
3. Die Mutter des EURO-Steckers im Uhrzeigersinn festziehen.
4. Das Griffstück sollte ordnungsgemäß und fest in der Steckdose befestigt sein. Eine unsachgemäße Befestigung des Griffstücks kann zu dessen Beschädigung und damit zur Beschädigung des ganzen Gerätes führen.

Anschluss Elektrodengriff MMA

1. Den Stromstecker des MMA-Elektrodengriffs an die Stromsteckdose an der Frontplatte des Gerätes anschließen.
2. Den Stromstecker durch Drehen im Uhrzeigersinn festziehen.
3. Das Griffstück sollte ordnungsgemäß und fest in der Stromsteckdose befestigt sein. Eine unsachgemäße Befestigung des Griffstücks kann zu dessen Beschädigung und damit zur Beschädigung des ganzen Gerätes führen.

Anschluss des Erdungsgriffs

1. Den Stromstecker des Erdungsgriffs an die Stromsteckdose an der Frontplatte des Gerätes anschließen.
2. Den Stromstecker durch Drehen im Uhrzeigersinn festziehen.
3. Das Griffstück sollte ordnungsgemäß und fest in der Stromsteckdose befestigt sein. Eine unsachgemäße Befestigung des Griffstücks kann zu dessen Beschädigung und damit zur Beschädigung des ganzen Gerätes führen.

Montage der Schweißdrahtspule

1. Die Spannvorrichtung der Führungsrollen des Schweißdrahtes entsichern.
2. Die Spannmutter der Schweißdrahtspule lösen.
3. Die Spule mit dem fertigen Passstück aufsetzen oder für diesen Zweck das Passstück verwenden, das für die jeweilige Drahtspule bestimmt ist. Besonders auf die Abrollrichtung des Drahtes achten. Der Draht muss die Spule verlassen und sich in einer Ebene im Bezug auf die Führungsrollen befinden. Der Verriegelungsbolzen sollte sich in der Feststellöffnung des Passstücks/der Spule befinden.
4. Die Spule mit der Befestigungsmutter sichern.
5. Prüfen, ob die Rollen an den Querschnitt des Schweißdrahtes angepasst sind (Bezeichnung auf der Rolle eingraviert), den Draht durch das Führungsendstück fädeln. Der Schweißdraht sollte sich parallel zur Nut der Rollen des Drahtvorschubgerätes befinden. Den Schweißzusatzwerkstoff bis zum Ausgang der EURO-Buchse ca. 5-10[mm] durchführen. Die Spannvorrichtung des Drahtvorschubgerätes sichern, im Bereich 2,5-4 (für harten Massivdraht Schwarz-/rostfreier Stahl), 2-3,5 für Weich-/Kerndraht (Draht für Aluminium, Lötschweißdraht, Fülldraht, Draht mit Selbstschutz) einstellen.

Anschlusschema Gasflasche

1. Die Flasche muss entweder vertikal an einem dafür vorgesehenen Ort oder auf dem Wagen des Gerätes aufgestellt sein.
2. Die Flasche so sichern, dass sie nicht umkippt. Ist das Gerät mit einem Transportwagen ausgestattet, werden entsprechende Ketten zum Sichern der Gasflasche mitgeliefert.
3. Sichergehen, dass das Flaschenventil geschlossen ist.
4. Druckminderer an die Flasche festschrauben.
5. Gasschlauch an den Stutzen des Gasdruckminderers anschließen.
6. Die Verbindung mit einer Klemmschelle sichern.
7. Gasschlauch an den Stutzen des Schweißgerätes anschließen.
8. Die Verbindung mit einer Klemmschelle sichern.
9. Flaschenventil öffnen.
10. Das Ventil des Druckminderers öffnen und einen entsprechenden Schutzgasdurchfluss einstellen.
11. Nach Abschluss der Schweißarbeiten das Flaschenventil schließen.



PARAMETER DER STROMVERSORGUNG

Stromversorgung: 230 V
Frequenz: 50/60 Hz
Leerlaufspannung: 65 V

TIG AC/DC-PARAMETER

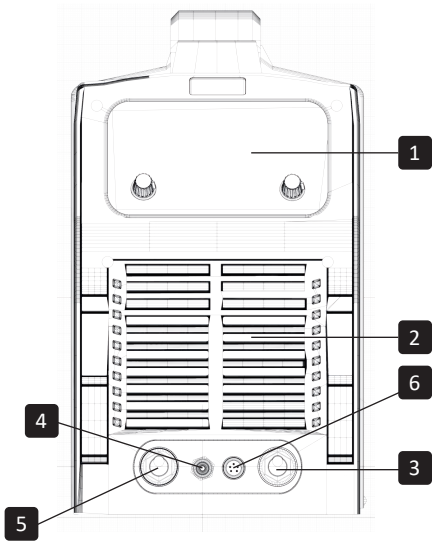
PRE GAS [s] 0-1
start Amp Start-Schweißstrom [A] 10-200
UP SLOPE Stromanstiegszeit [s] 1-15
Peak Amp Spitzenstrom [A] 10-200
AC Balance [%] 10-90
Fallzeit Down Slope [s] 0-25
Endstrom [A] 10-200
Gasausfluss nach dem Post-Gas-Prozess [s] 0-10
Pulsfrequenz [Hz] 0,5-200
Pulszyklus [%] 5-95

PHYSIKALISCHE PARAMETER

Abmessungen Länge Breite Höhe: 48x21x38 cm
Gewicht: Schweißgerät (netto) 14,8 kg, im Karton 21 kg
Schutzart des Gehäuses: IP21S
Kühlung: Patentiertes Luftdurchflusssystem

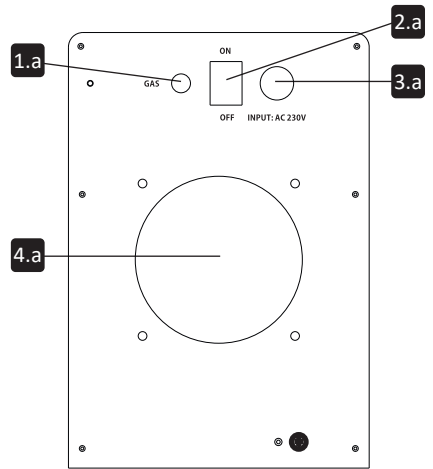
TECHNISCHE PARAMETER

Schweißstrom TIG: 10-200 A
Schweißspannung TIG: 10,4-18 V
Effizienz (bei 40 °C):
40 %/ 200 A / 18 V
60 %/163 A/16,5 V
100 %/ 126 A/ 15 V
Schweißstrom MMA: 30-200 A
Schweißspannung MMA: 21,2-28 V
MMA-Effizienz (bei 40 °C):
40 %/200 A/ 28 V
60 %/ 163 A / 26,5 V
100 %/ 126 A/ 25 V



Vorderansicht

1. Steuerungspult
2. Lüftungsöffnungen
3. Minuspol-Steckdose
4. Schutzgasanschluss
5. Pluspol-Steckdose
6. Steckdose der Griffstück-Steuerung TIG



Rückansicht

- 1.a. Schutzgasanschluss
- 2.a. Hauptschalter des Gerätes
- 3.a. Netzkabelanschluss
- 4.a. Lüftungsöffnungen

Vorbereitung der Gerätes auf Schweißen

Vorbereitung der Gerätes – MMA-Schweißverfahren

1. Den Stromstecker des MMA-Elektrodengriffs an die Stromsteckdose an der Frontplatte des Schweißgerätes anschließen.
2. Den Stromstecker des Erdungsgriffs an die Stromsteckdose an der Frontplatte des Schweißgerätes anschließen.
3. Die Klemme des Erdungsgriffs an den Schweißgegenstand oder Schweißstisch anschließen.
4. Das Gerät mit dem Netzschalter einschalten, der sich an der Rückwand des Gerätes befindet.
5. Das Gerät am Steuerpult auswählen und nach den erforderlichen Parametern einstellen.
6. Das Gerät ist betriebsbereit.

Vorbereitung der Gerätes – MIG/MAG-Schweißverfahren

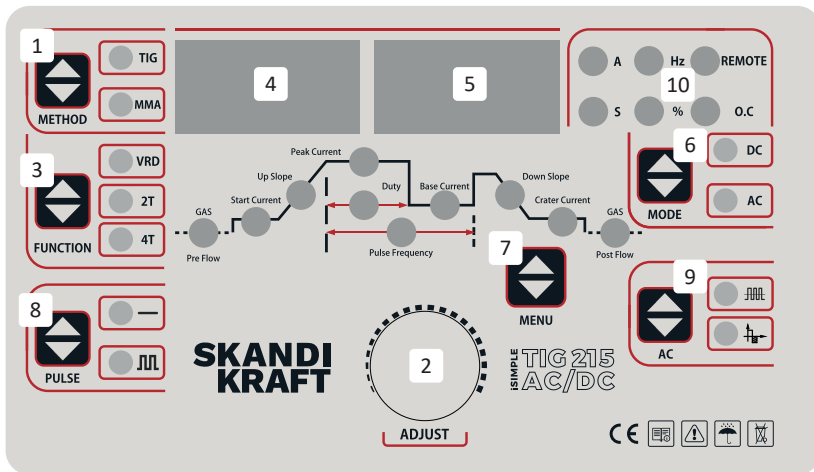
1. Den Schweißgriff an die EURO-Steckdose anschließen und daran denken, die Drahtspule zuvor richtig aufzusetzen, siehe „Schweißdrahtspule montieren“.
2. Den Satz Flasche und Druckminderer (siehe „Anschlussschema Gasflasche“) an den Eingangsstutzen an der Rückseite des Gerätes anschließen.
3. Das Kabel zur Feststellung der Polarität der EURO-Steckdose an den Pol „+“ anschließen.
4. Den Stromstecker des Erdungsgriffs an die Stromsteckdose an der Frontplatte des Schweißgerätes anschließen.
5. Die Klemme des Erdungsgriffs an den Schweißgegenstand oder Schweißstisch anschließen.
6. Das Gerät mit dem Netzschalter einschalten, der sich an der Rückwand des Gerätes befindet.
7. Den Schweißgriff so weit wie möglich recken, auf den Boden legen (es wird helfen, den Draht frei hinauszuschieben). Mit der Schnellvorschub-Option / Taste den Draht über das andere Ende des Schweißgriffs hinausschieben. Den Draht so kürzen, dass er 2-5 mm über das Griffende hinausragt.
8. Das Gerät am Steuerpult auswählen und nach den erforderlichen Parametern einstellen.
9. Das Gerät ist betriebsbereit.

Vorbereitung der Gerätes – FLUX-Schweißverfahren

1. Den Schweißgriff an die EURO-Steckdose anschließen und daran denken, die Drahtspule zuvor richtig aufzusetzen, siehe „Schweißdrahtspule montieren“.
2. Den Satz Flasche und Druckminderer (siehe „Anschlussschema Gasflasche“) an den Eingangsstutzen an der Rückseite des Gerätes anschließen.
3. Das Kabel zur Feststellung der Polarität der EURO-Steckdose an den Pol „-“ anschließen.
4. Den Stromstecker des Erdungsgriffs an die Stromsteckdose an der Frontplatte des Schweißgerätes anschließen.
5. Die Klemme des Erdungsgriffs an den Schweißgegenstand oder Schweißstisch anschließen.
6. Das Gerät mit dem Netzschalter einschalten, der sich an der Rückwand des Gerätes befindet.
7. Den Schweißgriff so weit wie möglich recken, auf den Boden legen (es wird helfen, den Draht frei hinauszuschieben). Mit der Schnellvorschub-Option / Taste den Draht über das andere Ende des Schweißgriffs hinausschieben. Den Draht so kürzen, dass er 2-5 mm über das Griffende hinausragt.
8. Das Gerät am Steuerpult auswählen und nach den erforderlichen Parametern einstellen.
9. Das Gerät ist betriebsbereit.

Vorbereitung der Gerätes – TIG-Schweißverfahren

1. Den Stromstecker des TIG-Griffstücks an die Stromsteckdose an der Frontplatte des Schweißgerätes, Pol „-“, anschließen.
2. Den Satz Flasche und Druckminderer (siehe „Anschlussschema Gasflasche“) an den Eingangsstutzen an der Rückseite des Gerätes anschließen.
3. Den Stromstecker des Erdungsgriffs an die Stromsteckdose an der Frontplatte des Schweißgerätes, Pol „+“, anschließen.
4. Die Klemme des Erdungsgriffs an den Schweißgegenstand oder Schweißstisch anschließen.
5. Das Gerät mit dem Netzschalter einschalten, der sich an der Rückwand des Gerätes befindet.
6. Das Gerät am Steuerpult auswählen und nach den erforderlichen Parametern einstellen.
7. Das Gerät ist betriebsbereit.



1. Wahl des Schweißverfahrens:

- MMA – Schweißen mit umhüllter Stabelektrode,
- TIG HF – Schweißen mit nicht abschmelzender Elektrode, im Schutzgas.

2. Funktions-Drehknopf, dient zur Auswahl der Parameter Stromstärke [A], Gasflusszeit [s], Stromanstiegszeit/Stromfallzeit [s], Pulsfrequenz [Hz] und Pulszyklus [%].

3. Funktionstaste:

- VRD – Spannungsabbausystem,
- 2T – Zweitaktsschweißen. Zum Auslösen und Zünden des Lichtbogens den Druckknopf am Schweißgriff drücken und beim Schweißen gedrückt halten, das Loslassen des Druckknopfes bewirkt, dass der Schweißbogen erlischt.
- 4T – Viertaktsschweißen, zum Auslösen des Lichtbogens den Druckknopf am Schweißgriff drücken und dann loslassen. Der Lichtbogen wird aufrechterhalten bleiben. Zum Löschen des Schweißbogens den Druckknopf erneut drücken und dann loslassen.

4. Anzeige für Meldungen, zeigt Daten für die Parametereinstellungen und Fehler an.

5. Diese Anzeige zeigt die eingestellten Parameter und funktioniert in Verbindung mit Signaldioden, siehe Pos. 10.

6. Wahl des Schweißbetriebs:

- Gleichstromschweißen (DC),
- Wechselstromschweißen (AC/DC)

7. Einstellen der Schweißparameter. Den entsprechenden Parameter mit der Taste (MENU) auswählen, dann im entsprechenden Bereich mit dem Drehknopf Nr. 2 einstellen:

- Pre Flow(GAS)[s] – Gasausfluss vor Lichtbogenzündung,
- Start Current [A] – Strom mit dem das Schweißen beginnt, der Anstieg erfolgt linear nach oben über die auf Up Slope [s] eingestellte Zeit und erreicht den Spitzenstrom Peak Current [A], *Dty[%] – Pulsbalance zwischen AC und DC-Strom,
- Pulse Frequency[Hz] – Stromwechselfrequenz von AC auf DC bezogen auf 1 [s].
- Base Current [A] – Basisstrom im DC-Verfahren Unterstrom im AC/DC-Verfahren.
- Down Slope [s] – Lösprozess über die eingestellte Zeit vom Basisstrom bis zum unter Crater Current [A] eingestellten Strom. Strom, bei dem das Auslösen und Abkühlen des Materials erfolgt, damit keine Nichtübereinstimmung der Schweißung entsteht.
- Post Flow(GAS)[S] – Gasausfluss nach Schweißprozessende.
- Die Taste drücken, 5[s] lang gedrückt halten und dann loslassen, um zu den Werkseinstellungen zurückzukehren. Kann Probleme lösen, die mit dem Gerätesystem zusammenhängen.

8. Wahl des Schweißens mit Gleich- oder Wechselstrom (pulsierend).

9. Wahl der Wellenform für das AC/DC-Schweißen.

10. Signaldioden

Allgemeine Informationen:

Der Garantieschein ist für SKANDI KRAFT-Geräte bestimmt. Die Inanspruchnahme der Garantie ist das Recht jeder Person, die die Ausrüstung von SANDI KRAFT® besitzt, der ein Garantieschein beigefügt wurde. Die Erteilung der Garantie schließt das Recht zur Ausübung der mit der Nichtübereinstimmung des Produkts mit dem Vertrag, Gewährleistung oder anderen gesetzlichen Rechten verbundenen Rechte nicht aus und schränkt diese nicht ein.

Das Ziel der Garantie besteht darin, den Verbrauchern Rechte zu gewähren, die über die gesetzlichen Bestimmungen hinausgehen, so dass bei Zweifeln an der Auslegung die Bestimmungen der Garantie unter Berücksichtigung dieser Absicht zu interpretieren sind.

Der Garantieschein ist mehrere Länder bestimmt, jedoch unter besonderer Berücksichtigung der europäischen Märkte. Wenn also die Rechtsvorschriften eines Landes den Verbrauchern breitere Garantierechte gewähren, als diese, die aus dem Garantieschein von SKANDI KRAFT® hervorgehen, so wird den Verbrauchern in diesem Land auf Grund der Garantie ein Schutz gewährleistet, der nicht unter den gesetzlichen Vorschriften liegt. Die für den jeweiligen Verbraucher ungünstigeren Bestimmungen des Garantiescheins finden keine Anwendung und werden durch Regelungen ersetzt, die den in diesem Land geltenden Rechtsvorschriften entsprechen. Dieses Prinzip findet auch Anwendung auf Unternehmer bzw. andere Organisationen, wenn ihnen das Recht des betroffenen Landes Berechtigungen gewährt, die rechtlich nicht ausgeschlossen werden können.

Wichtige Hinweise:

Vor der Benutzung des Geräts von SKANDI KRAFT unbedingt die Anleitung durchlesen. Sollte das Gerät trotz Inbetriebnahme gemäß der Anleitung nicht ordnungsgemäß funktionieren, schlagen wir vor, unsere kostenlose Hotline zu benutzen: (+48) 733 848 489 oder (+48) 668 176 610. Vielleicht werden unsere Mitarbeiter helfen können, das Problem mit dem Gerät zu lösen, und es wird nicht notwendig sein, den Garantieschein oder andere Rechte im Zusammenhang mit der Nichtübereinstimmung des Gerätes von SKANDI KRAFT mit dem Vertrag in Anspruch zu nehmen.

Garantiebedingungen:

1. Die gewährte Garantie gilt für:

- 24 Monate bei Verbrauchern und Personen, denen die Rechtsvorschriften einen analogen und bedingungslosen Schutz wie den Verbrauchern gewähren,
- 12 Monate bei sonstigen Organisationen.

2. Die Garantie gilt ab Aushändigung der Ware. Wurde die Ware im Zusammenhang mit einer bei einer Verkaufsstelle eingereichten Bestellung geliefert, gilt als Aushändigungsdatum das Datum der Übergabe des Geräts durch den Beförderer an den Käufer oder eine von ihm bevollmächtigte Person.

3. Die Person, die die Garantie in Anspruch nimmt, sollte die Einhaltung ihres Gültigkeitszeitraums nachweisen. Als Basisdokument für den Nachweis gilt ein Beleg oder eine Rechnung, ggf. ein Beförderungsdokument, aber diese Umstände können auch in anderer Weise nachgewiesen werden.

4. Die Garantie umfasst Mängel, die während der Garantiedauer festgestellt werden.

5. Die Garantieleistungen werden durch den Hersteller NEMES POLSKA Sp. z o.o. oder eine vom Hersteller autorisierte Servicestelle für Garantieleistungen (nachfolgend gemeinsam als „Service“ bezeichnet) erbracht. Ein aktuelles Verzeichnis der Servicestellen entnehmen Sie bitte der Website www.skandi-kraft.com Wenn die Garantie in einem anderen Land als dem Sitzland des Herstellers in Anspruch genommen wird und der Hersteller in diesem Land über eine Servicestelle verfügt, werden die Pflichten des Garantiegebers in diesem Land von einer solchen Servicestelle wahrgenommen.

6. Vor der Zustellung eines Gerätes von SKANDI KRAFT an eine Servicestelle, um die Garantiebedienun g zu verbessern, wenden Sie sich bitte an den Service unter der Nummer (+48) 733 848 489 oder (+48) 668 176 610 oder per E-Mail an serwis@skandi-kraft.com und senden Sie per E-Mail ein ausgefülltes Garantiefomular, das von der Website www.skandi-kraft.com heruntergeladen werden kann oder dessen Muster dem Garantieschein entnommen werden kann.

7. Bei der Meldung eines Garantieanspruchs gemäß den oben beschriebenen Regeln kann die Servicestelle die Zusendung von Fotos des Gerätes und ggf. weitere Informationen anfordern. In dieser Phase kann die Servicestelle die Garantie berücksichtigen und darauf hinweisen, dass die Lieferung des Gerätes an die Servicestelle nicht notwendig ist, da dieses gegen ein neues ausgetauscht werden wird, das an die in der Anmeldung angegebene Adresse versandt werden wird. Die Servicestelle kann auch eine vorläufige negative Stellungnahme zur Anmeldung des Garantieanspruchs abgeben und insbesondere darauf hinweisen, dass sich die Anmeldung auf Verschleißteile bezieht, die nicht unter die Garantie fallen. Im letzteren Fall gilt die Anmeldung jedoch erst als erfolgt, wenn das Gerät an die Servicestelle geliefert wurde, und die Stellung der Servicestelle ist lediglich eine vorläufige Beurteilung der Anmeldung ohne Überprüfung des jeweiligen Gerätes.

8. Die Kosten der Geräteelieferung an die Servicestelle trägt die Person, die die Garantie in Anspruch nimmt. Wird die Anmeldung als berechtigt anerkannt, so werden diese Kosten nach einer vorherigen Vorlage von Belegen erstattet. Diese Bestimmung gilt entsprechend für die Kosten der Rückgabe des Gerätes an die Person, die die Garantie in Anspruch genommen hat.

9. Vor der Lieferung des Gerätes an die Servicestelle soll es von eventuellen Verschmutzungen, insbesondere Fetten, Farben und ganz besonders von möglichen gesundheitsschädlichen bzw. lebensgefährlichen Stoffen gereinigt werden.

10. Nach der Lieferung des Gerätes wird die Servicestelle innerhalb von 14 Tagen die Anerkennung oder Ablehnung der Anerkennung des Garantieanspruchs mitteilen. Eine teilweise Anerkennung des Garantieanspruchs ist ebenfalls zulässig.

11. Die Instandsetzungszeit beträgt ungefähr 14 Tage. Bei Nichtverfügbarkeit von Teilen kann diese Zeit länger werden, worüber der Kunde informiert wird. Falls das Gerät nicht instandgesetzt werden kann, wird es durch ein neues Exemplar ersetzt. Sollte der Hersteller nicht mehr über das im Rahmen des Garantieanspruchs angemeldete Modell verfügen, wird er ein Modell, das dem reklamierten Modell am nächsten kommt oder die Kaufpreiserstattung anbieten.

12. Die Garantie umfasst keine mechanischen Beschädigungen sowie solche, die sich aus unsachgemäßem Betrieb ergeben:

- Schäden, die mit dem Betrieb des Gerätes zusammenhängen, es sei denn, ihre Ursache waren Mängel, die zum Zeitpunkt der Aushändigung im Gerät steckten,
- physikalische, externe Beschädigungen, u.a.: Dellen, Sturz aus der Höhe, Schnitte, Scheuerstellen, atmosphärische Entladungen, Überspannungen im Netz u.ä.,
- Beschädigungen, die aus einer nicht mit der Bedienungsanleitung übereinstimmenden Benutzung resultieren, einschließlich der Nichtausführung von Instandhaltungsarbeiten oder einer mangelhaften Lagerung des Gerätes,
- Änderungen, die sich aus Änderungen oder Instandsetzung durch unbefugte Personen ergeben,
- Beschädigungen durch unsachgemäßen Anschluss an das Stromnetz oder falsche Parameter des Stromnetzes,
- beim Fehlen des Typenschildes erlischt die Garantie.

13. Die Garantie umfasst keine Verschleißteile wie Schweiß-Griffstücke einschließlich der mitgelieferten Verschleißteile (Isolatoren/Diffusoren, Verbindungsstücke, Stromendstücke, Gasdüsen und Panzer), ersetzte Teile der Zuführung (Rollen des Drahtvorschubgerätes, Drahtführungen), Erdungsklemmen, Elektrodengriffe, Steuerstecker, Versorgungsstecker, außer wenn sie zum Zeitpunkt der Aushändigung des Gerätes nicht vertragskonform waren. Sollte im Rahmen der Garantie eine Beschädigung von Verschleißteilen gemeldet werden, die nicht unter die Garantie fallen, informiert die Servicestelle den Anmelder darüber und teilt ihm auch die Kosten für den Austausch eines solchen Teils mit. Solche Instandsetzung gilt als Instandsetzung, die nicht unter Garantie fällt und die Transport- und Instandsetzungskosten sind dann vom Kunden zu tragen. Diese Bestimmung gilt entsprechend für Geräte von SKANDI KRAFT mit Beschädigungen, die nicht unter die Garantie fallen.

14. Bei einer Instandsetzung, die nicht unter die Garantie fällt, gehen ihre Kosten einschließlich der Kosten für die Lieferung und Rückgabe der Ware zu Lasten der Person, die den Garantieanspruch gemeldet hat. In jedem Fall wird die Servicestelle jedoch eine Zustimmung für die Durchführung der Instandsetzungsarbeiten, die nicht unter die Garantie fallen, vorab einholen.

15. Für die Dauer des Transports sollte das Produkt gut gesichert sein, z. B. in der Originalverpackung, durch eine Füllung, die die Bewegungsfreiheit des Gerätes verhindert und vor Beschädigungen während des Transports schützt. Die Servicestelle und der Hersteller haften nicht für Transportschäden am Gerät, es sei denn, dass sie diesen Transport durchführen. Im Zusammenhang mit der vorgenannten Bestimmung wird es empfohlen, um die eigenen Rechte zu schützen, vor und nach dem Verpacken Fotos zu machen, die den Zustand des Gerätes und die Art und Weise dessen Sicherung für den Transport dokumentieren.

16. Beim Austausch des Gerätes von SKANDI KRAFT gegen ein neues läuft die Garantie an der Zustellung an den Garantienhmer. Beim Austausch nur einzelner Teile des Gerätes gilt das im vorangehenden Satz aufgeführte Prinzip nur für diese Teile.

Bezeichnung des Gerätes:	Kaufdokument-Nr.:
Modell:	Kaufdatum:
Seriennummer (SN):	Datum und Unterschrift des Benutzers:

***Denken Sie daran, das vorangehende Feld auszufüllen; dadurch wird die Kenntnisnahme des Garantiescheins bestätigt und eine Grundlage für die Anerkennung der Garantie geschaffen.**

Notizen der Servicestelle:

Nr.	Störungscode	Datum	Bemerkungen	Unterschrift des Servicetechnikers

- Unter dem jeweiligen Störungscode kann der Webseite skandi-kraft.com entnommen werden, was von der Servicestelle instandgesetzt wurde.
- Alle Felder bitte lesbar ausfüllen.

Tabelle für Notizen

Nr.	Art des zu verschweißenden Werkstoffes	Durchmesser [Ø] des Schweißzusatzwerkstoffes (Drahtes)	Werkstoffart Schweißzusatzwerkstoffe	Schweißstromparameter		Drahtvorschubgeschwindigkeit [m/min]	Gasausfluss [l/min]
				[A]	[V]		
1							
2							
3							
4							
5							
6							
7							
8							
9							
10							
11							